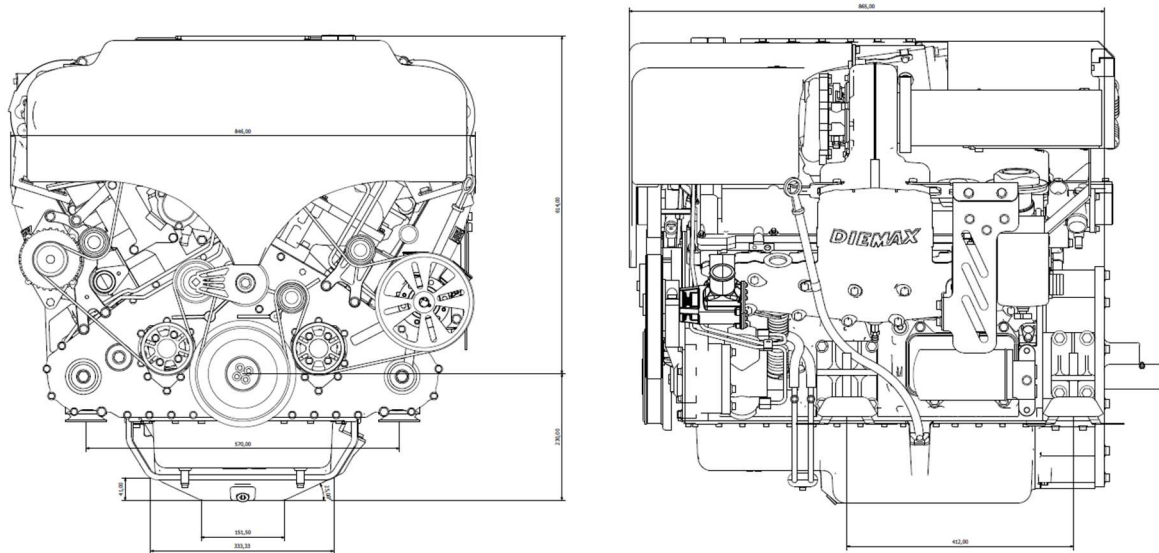


# DIEMMAX

MARINE ENGINES

Diemmax V12-600 engine Dimensions:



Length	<b>865 mm</b>
Width	<b>846 mm</b>
Height (from crankshaft)	<b>614 mm</b>

## Flywheel – Flywheel housing

Flywheel housing SAE4

Flywheel: SAE6.5 and SAE10

